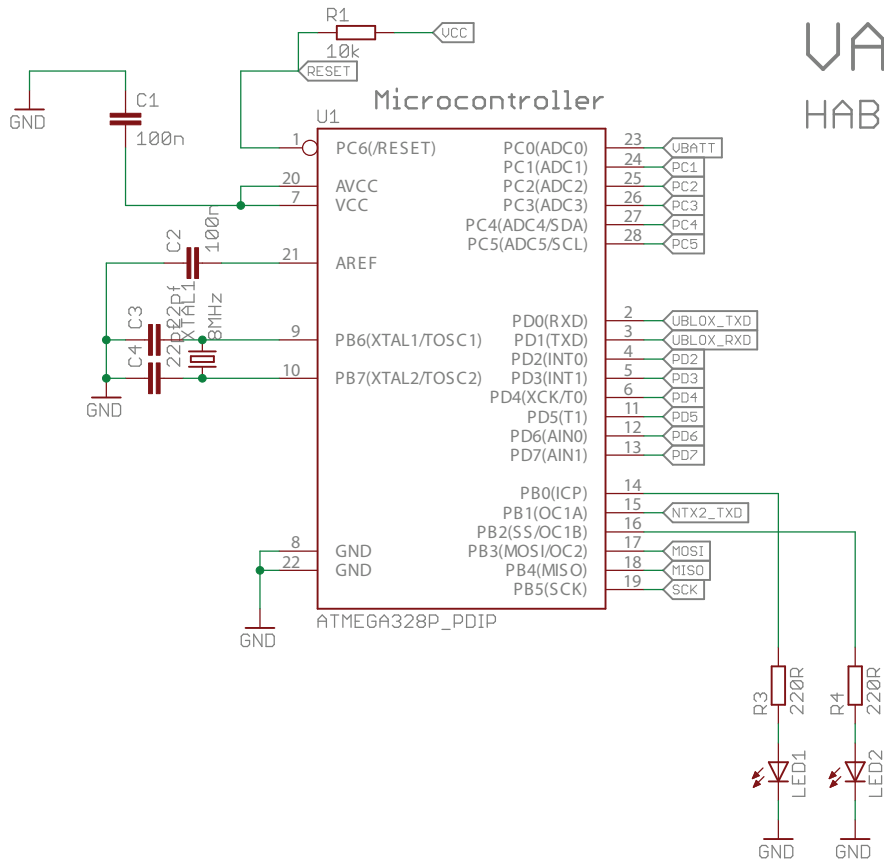
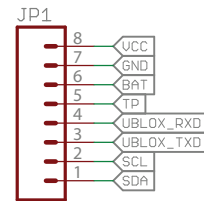


VAYU-NTX-th v1.0

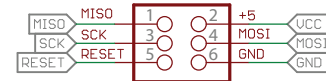
HAB Tracker



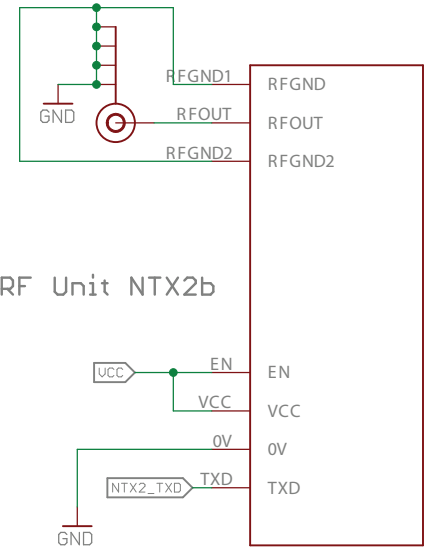
GPS Unit Header



Programming Header

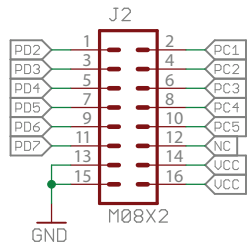


RF Unit NTX2b



for LED1 PB1 - Arduino D8 - Pin 8
for LED2 PB2 - Arduino D10 - Pin 10

Breakout Header

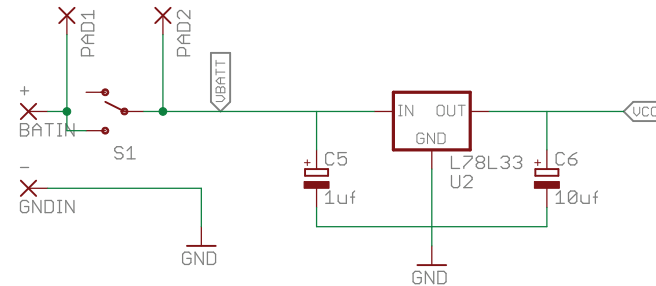


J2 Pin Map

- | | |
|----------------|------------------------------|
| 1 - PD2 - D2 | 2 - PC1 - A1 |
| 3 - PD3 - D3 | 4 - PC2 - A2 |
| 5 - PD4 - D4 | 6 - PC3 - A3 |
| 7 - PD5 - D5 | 8 - PC4 - A4 |
| 9 - PD6 - D6 | 10 - PC5 - A5 |
| 11 - PD7 - D7 | 12 - nc - nc (No connection) |
| 13 - GND - GND | 14 - VCC - VCC |
| 15 - GND - GND | 16 - VCC - VCC |

[J2 Header] - [AUR] - [Arduino]

Option



Design & Layout by Steve Smith G0TDJ
WWW.PROJECTHAB.CO.UK

